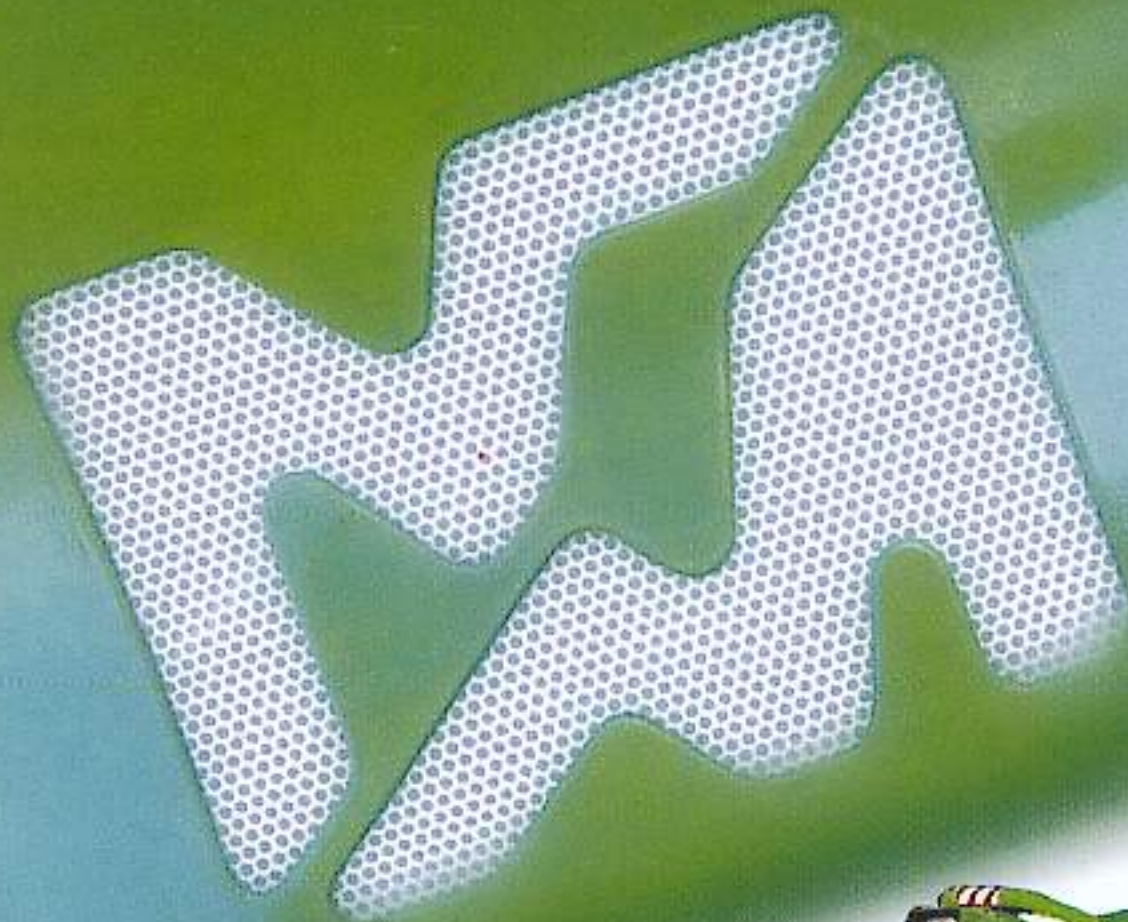




COMPANY
WITH QUALITY SYSTEM
CERTIFIED BY DNV
ISO 9001

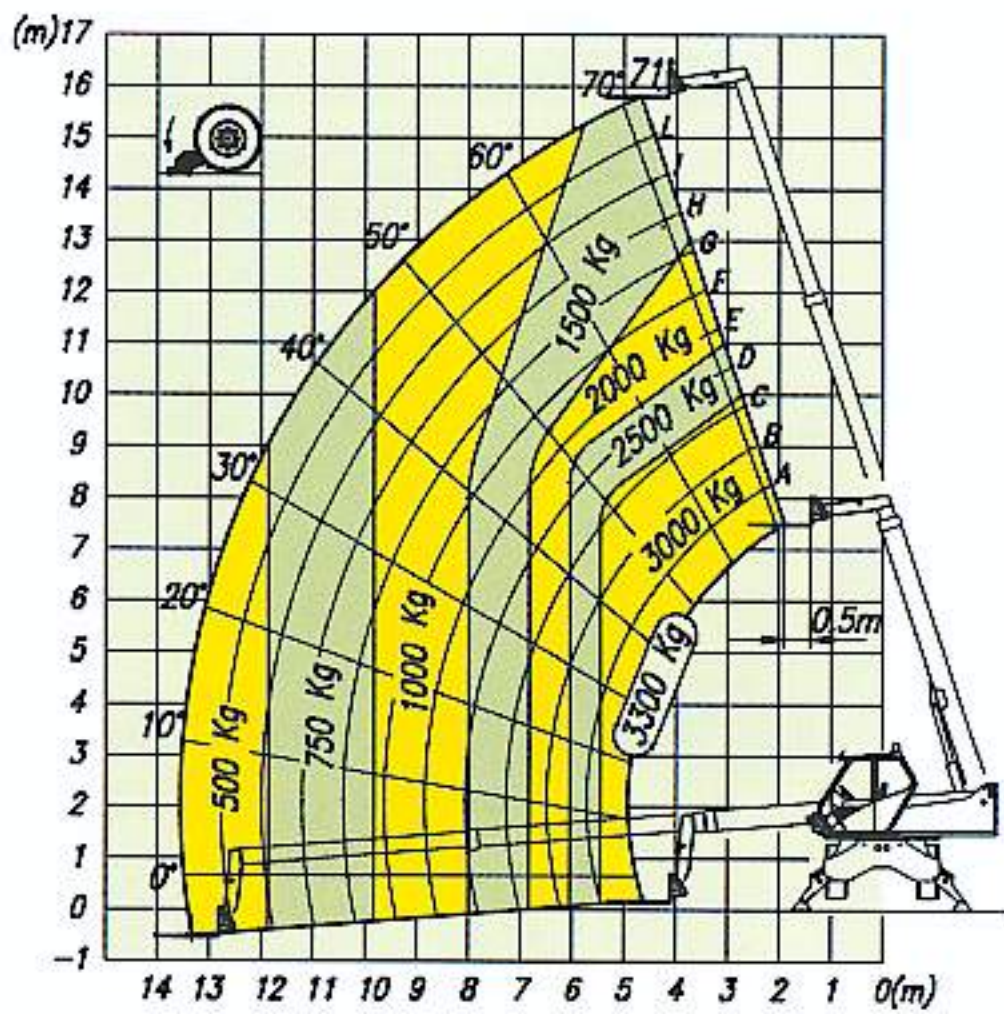
roto
33.16 KS
35.13 KS
50.10 KS



ROTO KS

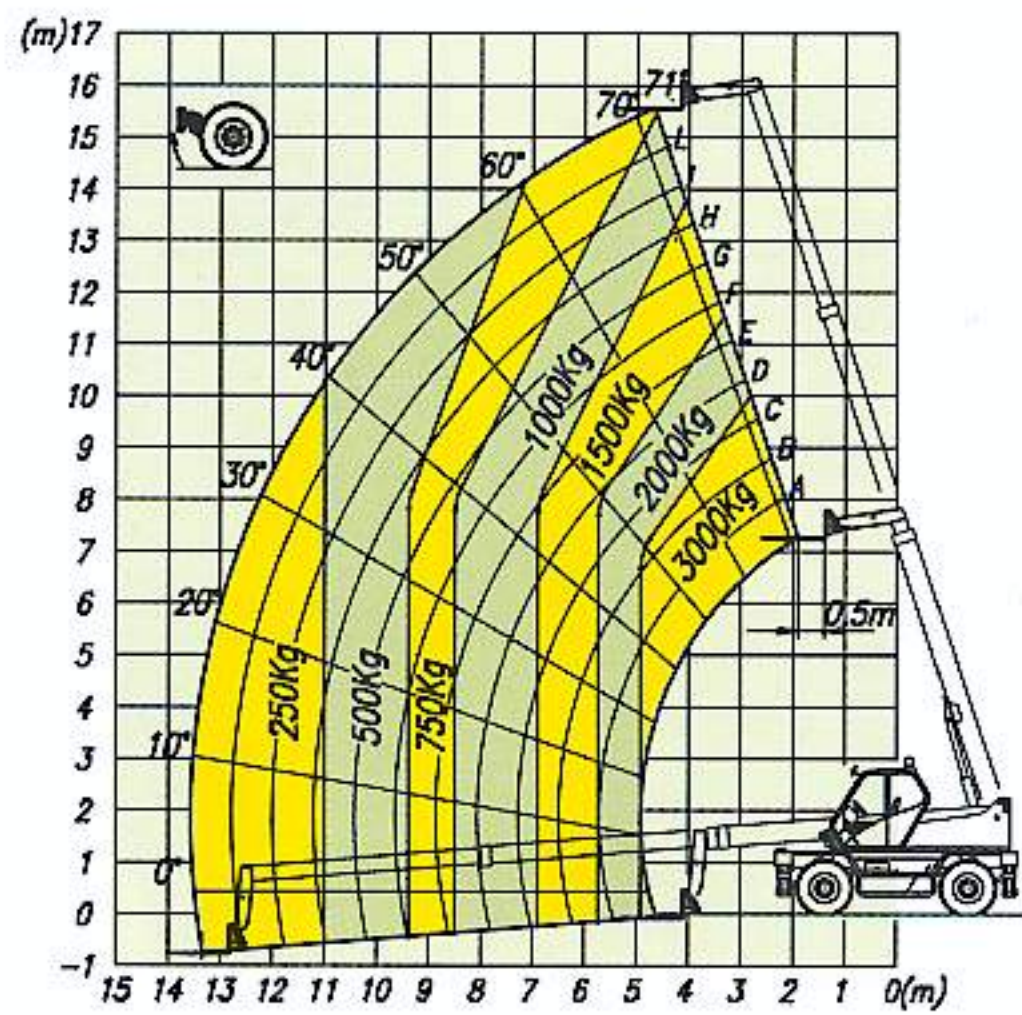
33.16 KS

ON STABILISERS



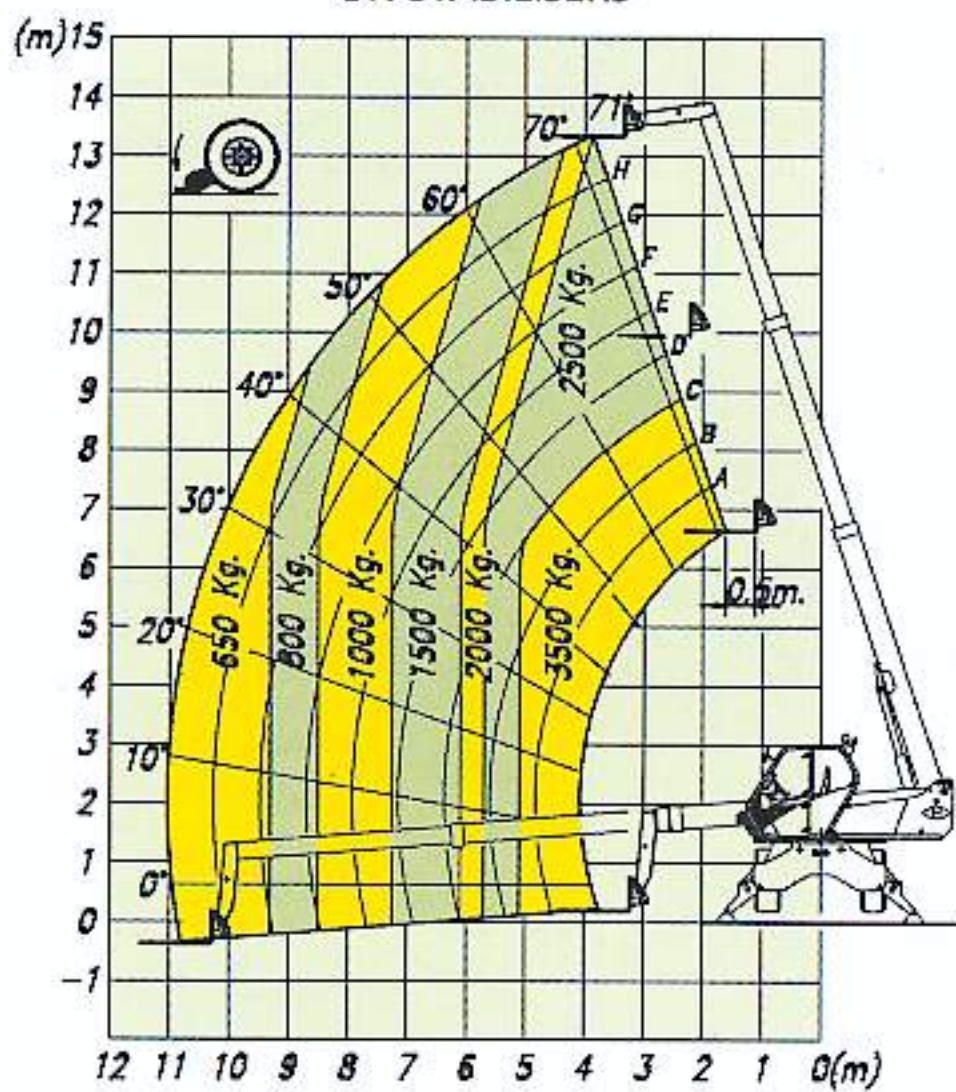
33.16 KS

ON TYRES



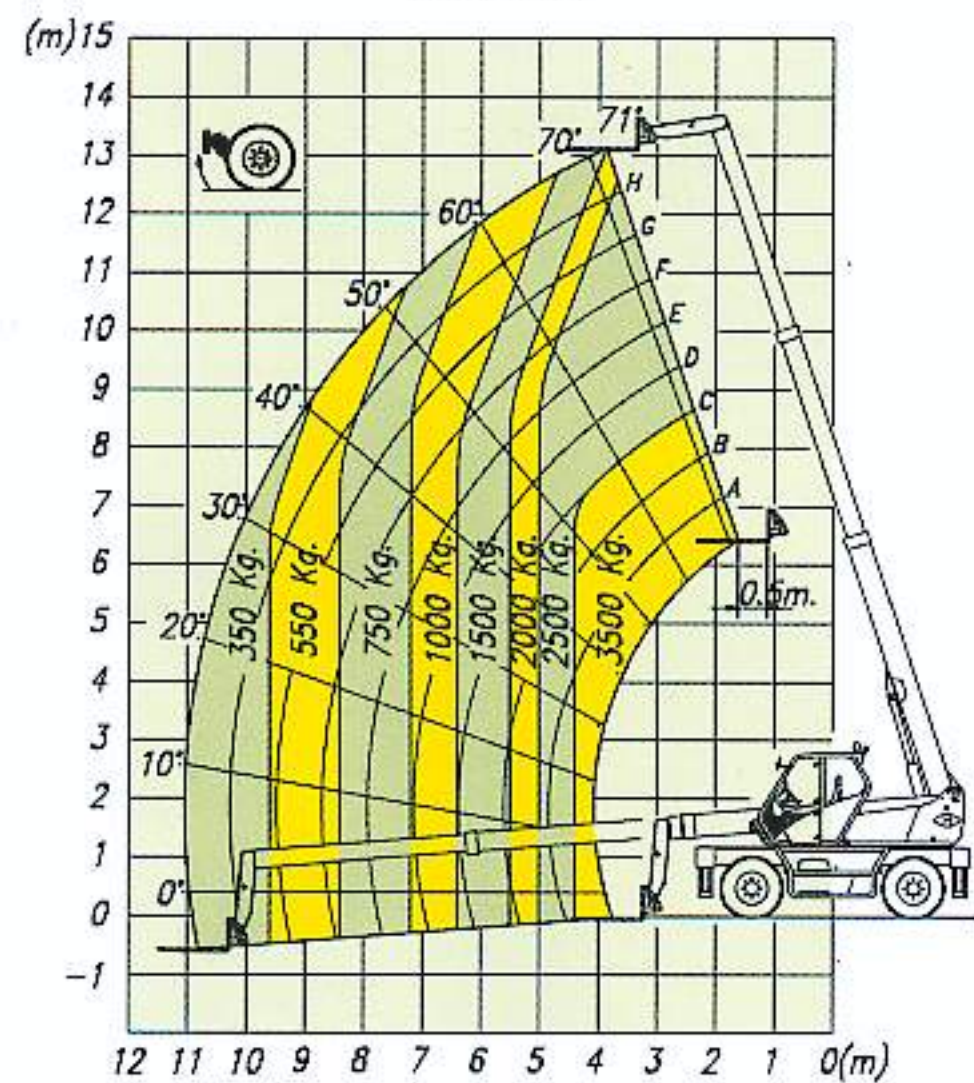
35.13 KS

ON STABILISERS



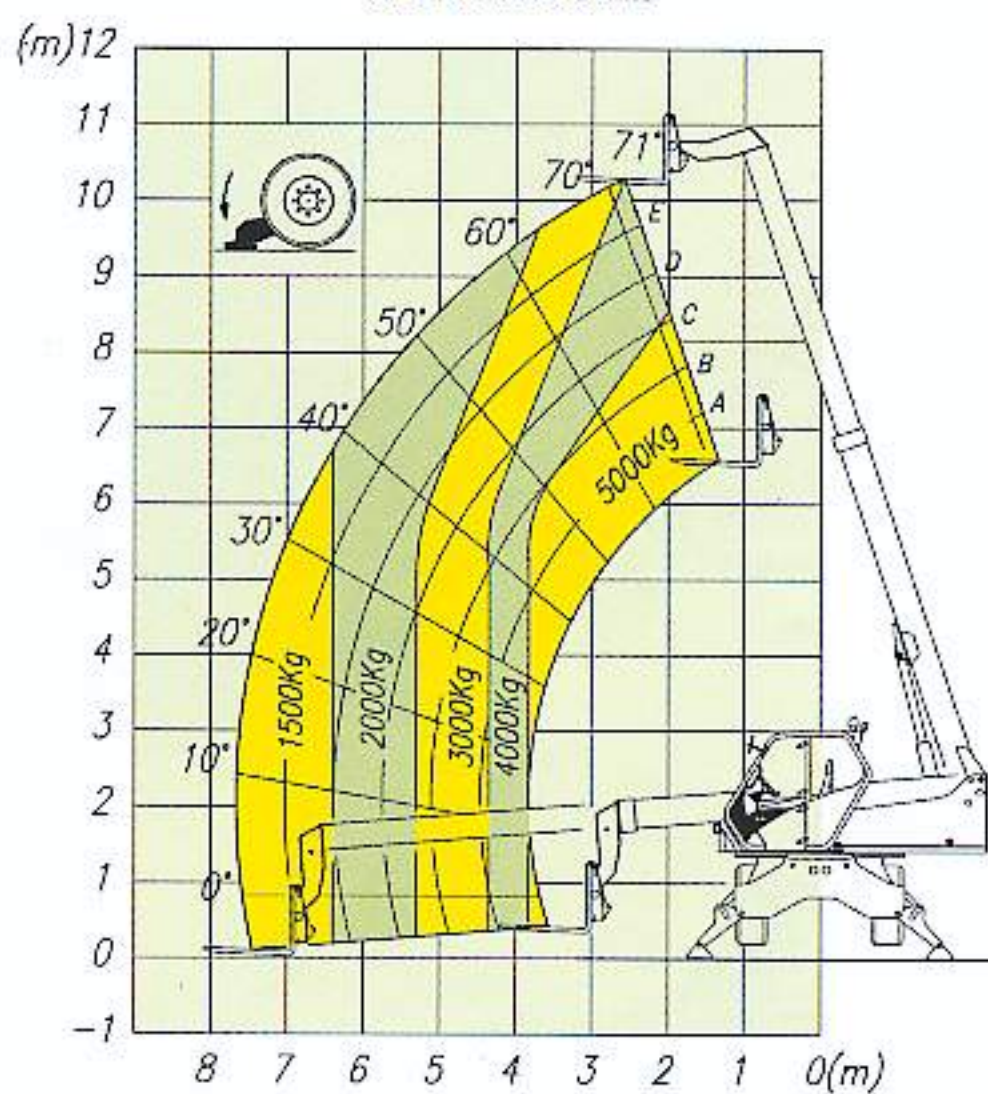
35.13 KS

ON TYRES



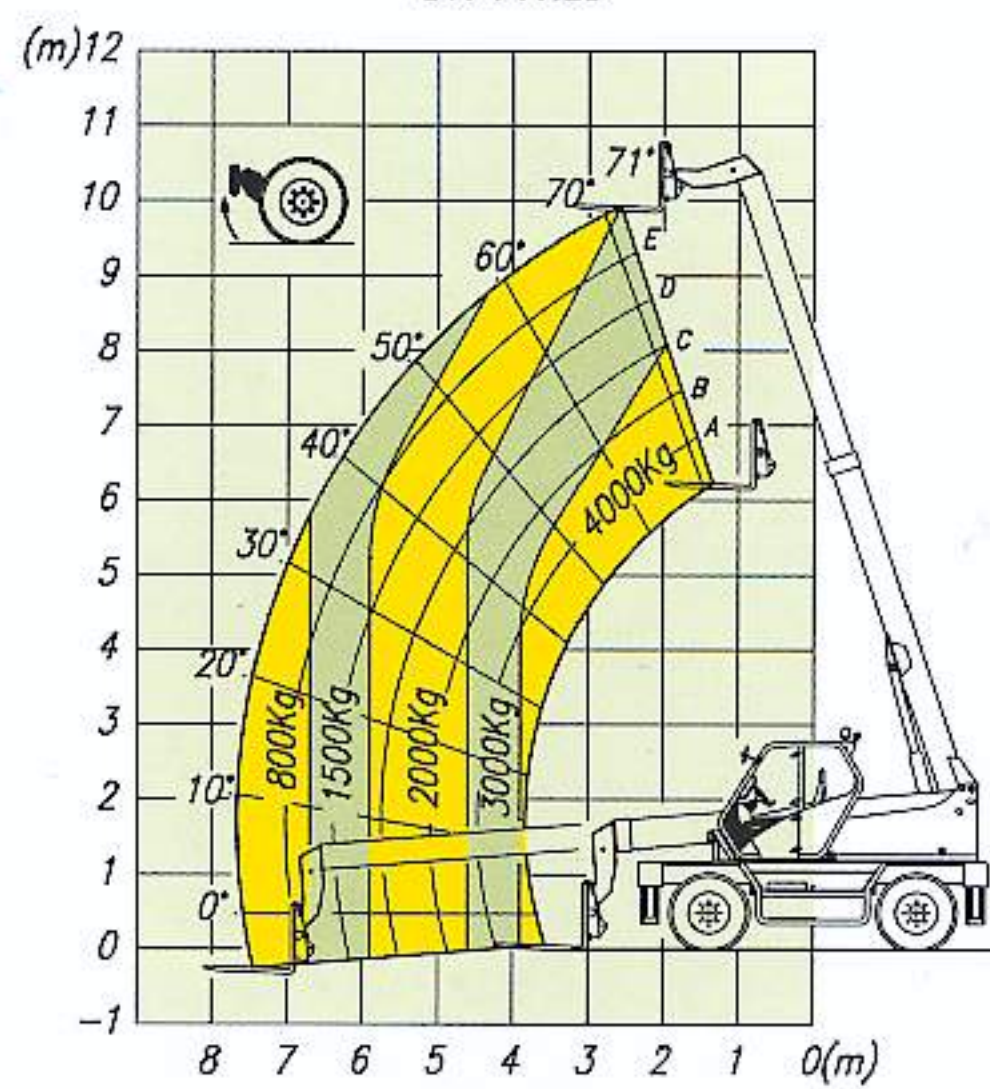
50.10 KS

ON STABILISERS



50.10 KS

ON TYRES



THE RANGE

ROTO

MODEL		33.16 KS	35.13 KS	50.10 KS
WEIGHT				
Operational weight (including forks)	kg	12040	12040	11740
PERFORMANCE				
Maximum rated capacity	kg	3300	3500	5000
Maximum lift height	mm	15810	13400	10200
Maximum forward reach	mm	13500	11180	7850
Maximum lift height with rated load	mm	7500	8700	8500
Maximum reach with rated load	mm	5000	5300	3900
Lift capacity at full lift height	kg	1500	2500	4000
Lift capacity at maximum forward reach	kg	500	650	1500
Bucket tearout force (800 litre)	kg	4230	4230	4230
Drawbar pull (dynamometer test)	kg	7800	7800	7800
Carriage rotation	deg	140	140	140
Upperstructure slew angle	deg	400	400	400
TRAVEL SPEED				
Low range	kph	11	11	11
High range	kph	40	40	40

Hydropneumatic levelling suspension

■ The hydropneumatic suspension system ensures maximum driver comfort and security, whilst eliminating pitching during high speed driving.

■ The hydropneumatic suspension has three modes - automatic, manual and locked.

- Automatic operation is ideal for road travel in high range.
- Switching to the manual mode allows the driver to individually control the four suspension units, for lateral and longitudinal levelling on uneven ground.
- Finally, the operator can lock all units when positioned. In this mode no shock absorbing function is provided but they ensure safe and stable operation when lifting a load on-tyres.

■ The lateral tilt correction is up $\pm 9^\circ$ (16%), the longitudinal $\pm 5^\circ$ (9%).

ROTO		33.16 KS	35.13 KS	50.10 KS
A	mm	6370	5550	5320
C	mm	2760	2760	2760
E	mm	4645	4645	4645
F	mm	350	350	350
H	mm	2240	2240	2240
L	mm	3530	3530	3530
M	mm	995	995	995
N	mm	2220	2220	2220
P	mm	2790	2790	2790
R	mm	3920	3920	3920
S	mm	6150	5440	5230
Z	mm	850	850	850

OPERATOR'S CAB

- The structure complies with ISO 3449 (FOPS) and EN 23411 directives.
- Boom and turret are operated by "2 in 1" joysticks.

SAFETY DEVICES

- Load stability indicator system with visual and acoustic alarm and automatic motion locking, preventing any aggravating motion.
- All boom and stabilising hydraulic cylinders are fitted with pilot-operated check valves.
- The "Fail-safe" parking brake type automatically locks when the diesel engine is turned off.

BOOM

- Three section high yield steel boom, extending on anti-wear pads. Internally mounted extension cylinder.

CARRIAGE

- The front-mounted equipment carriage permits the use of numerous attachments. The 'Tac-Lock' hydraulic attachment locking system allows instant locking/unlocking of attachments, controlled from the cab.
- Two hydraulic service lines are supplied to the carriage, permitting the use of double-acting hydraulic.

PALLET FORKS

- 1200mm long with 130 x 45mm section.
- Manual adjustment of fork separation between 450 - 1050mm.

STABILISERS

Four independently controlled hydraulic stabilisers.

STEERING

- Four-wheel power assisted steering with automatic synchronisation when misaligned.
- Three steering modes:
 - Front wheel steer.
 - All wheel steer.
 - Crab steer.

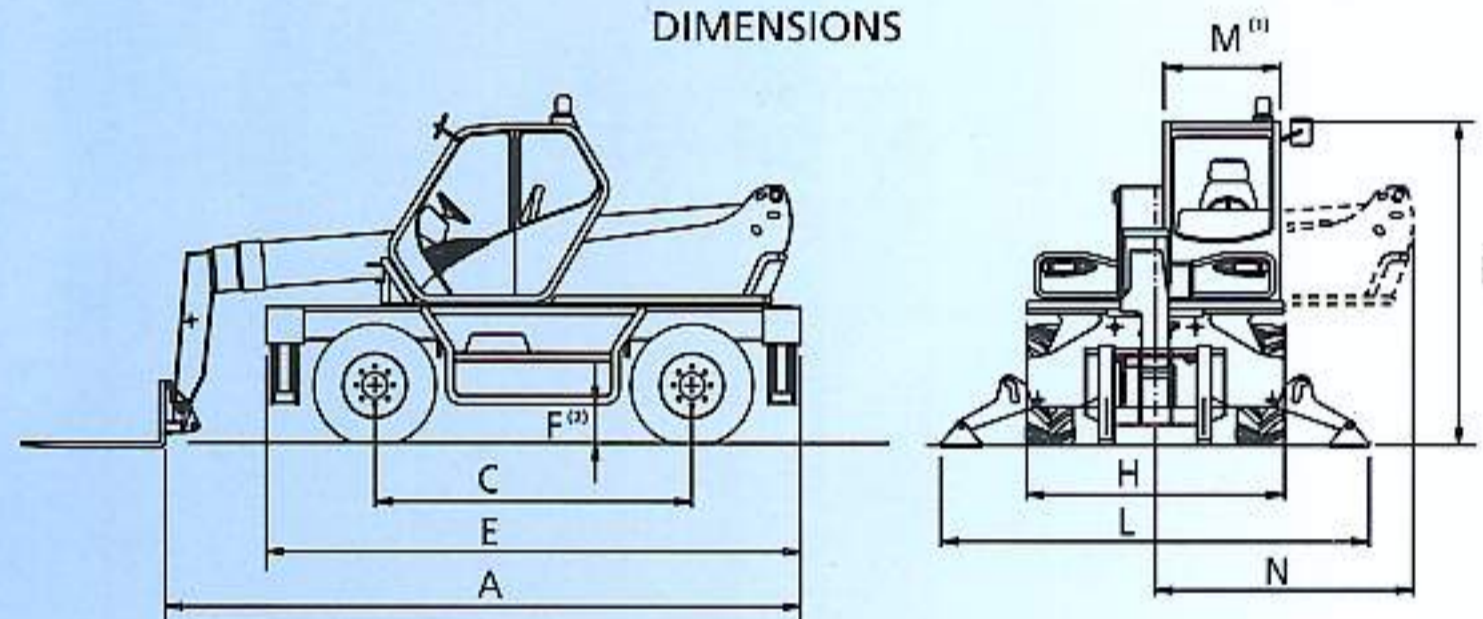
ENGINE

The low emission (EURO 2) 4 cylinder, water-cooled, direct injection turbo Diesel Deutz engine, is rated at 74,9 kW at 2400 rpm (97/68/EC).

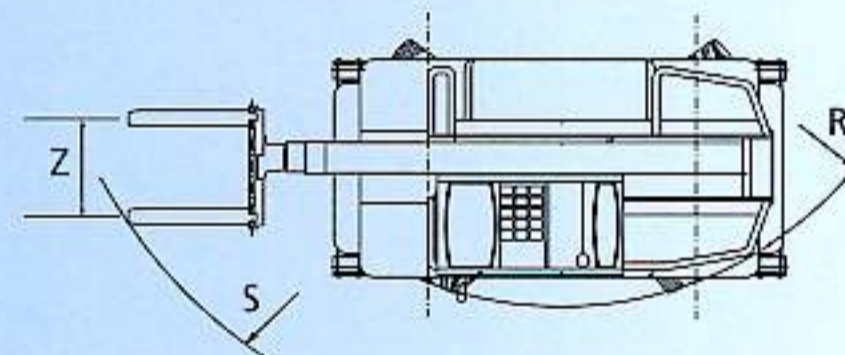
HYDROSTATIC TRANSMISSION

- The hydrostatic transmission ensures automatic and continuous speed regulation from standstill to maximum speed, simply by operating the accelerator pedal.
- The two speed range gear box is electrically operated.
- With the "Finger-Touch" system it is possible to change driving

DIMENSIONS



OUTSTANDING MANOEUVRABILITY



⁽¹⁾ Internal width

⁽²⁾ ± 65 mm. Suspension half-stroke

direction even when the machine is moving, without the operator having to remove his hands from the steering wheel.

- Permanent four-wheel drive traction, with drop portal axles to ensure excellent ground clearance.

BRAKES

- Hydraulic disc service brakes on all 4 differential output shafts.
- Fail-safe automatic hydraulic park brake.

"LOAD-SENSING"

- The "Load-Sensing" hydraulic system automatically regulates pump delivery to ensure most efficient use of engine power. Output is regulated throughout the duty cycle, ensuring high performance and highest efficiency. Single variable delivery axial piston pump, with "Load-Sensing" control.
 - Maximum flow 120 litres/min.
 - Service pressure 210 bar.

ELECTRICAL SYSTEM

- 12 volts, 160 Ah battery and 90 A alternator.
- Road lighting.
- Rotating beacon.

SERVICE CAPACITIES

- Hydraulic system: 130 l
- Fuel tank: 155 l
- Hydrostatic oil: 12 l
- Engine oil: 8,5 l
- Engine cooling: 12 l

TYRES

- 400/70-20 14 PR.

OPTIONS

- 18-19.5 16 PR tyres
- '5 in 1' electronic joystick control
- Cab mounted working lights
- Roof window wash/wipe system
- Rear axle differential lock
- Windscreen load guard

An enormous range of interchangeable attachments and options increase the versatility and performance of ROTO KS slewing handler.



MERLO SPA INDUSTRIA METALMECCANICA
 12020 S. Defendente di Cervasca (CN) - Italy
 Tel. +39 0171 614111 - Fax +39 0171 614100
www.merlo.com - info@merlo.com



MERLO FRANCE
info@merlo-france.fr



MERLO UK
info@merlo.co.uk



HEINRICH-MERLO
info@heinrichs-merlo.de



MERLO IBERICA
servicios_generales@merlo-iberica.es